

AC motorlu plug radyal fanlar, ısı geri kazanım üniteleri, kanal ve çatı tipi fan üniteleri, hava temizleme cihazları, klima çeşitlerinin içinde yaygın olarak kullanılmaktadır.

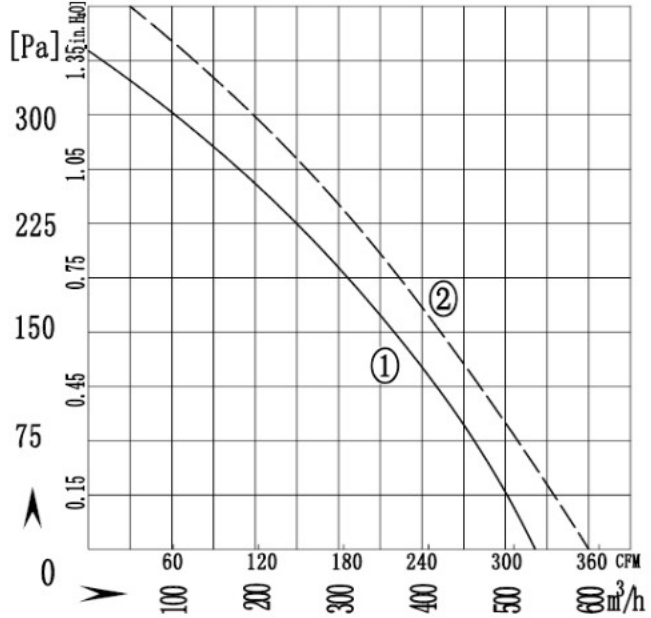
TRIO markalı AC motorlu plug fan modelleri

- Monofaze ve trifaze olarak çeşitli motor güçlerinde,
- 190—560 mm rotor çapı aralığında,
- Plastik ve metal olarak geriye eğimli kanat yapısında, ihtiyaç olan performans verilerini en iyi şekilde sağlamaktadır.





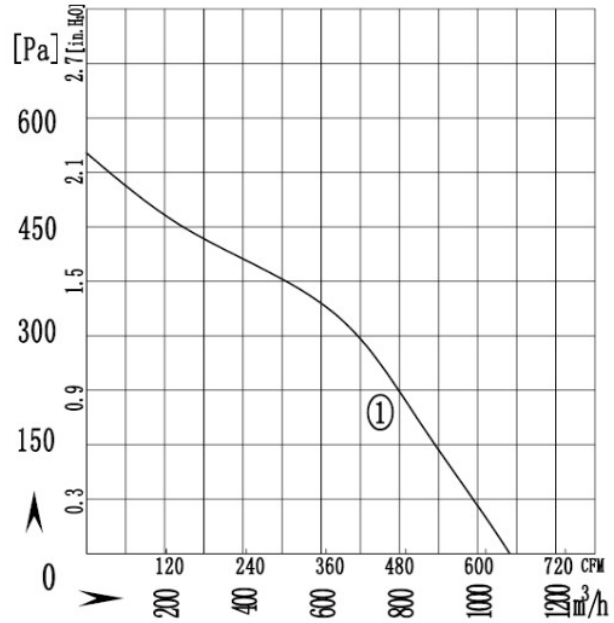
Impeller material : Plastic PA66
Protection Class : IP 44
Approvals: CCC CE
Insulation Class : F



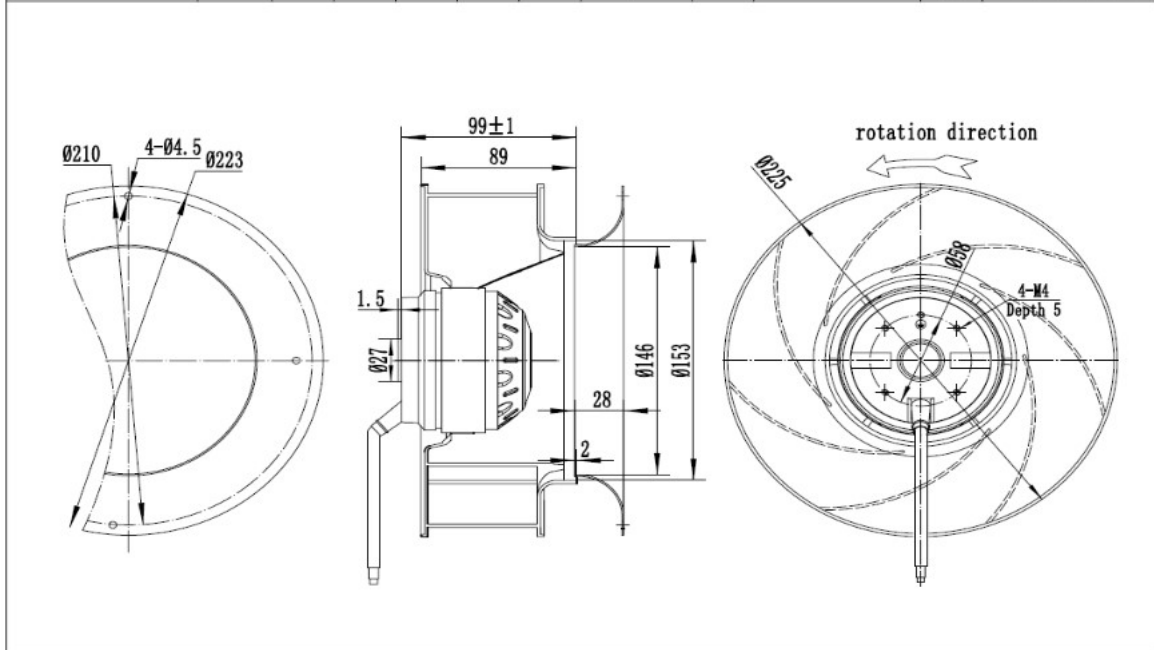
Type	Voltage	Frequency	Current	Input Power	Speed	Capacitor	Air Flow	Noise	Temperature	Curve No.	Approvals
	V	Hz	A	W	rpm	µF	m³/h / CFM	dB(A)	Min / Max (°C)	#	
B2E190-063A-AA10	220/230	50	0.27	60	2500	2.0	540 / 317	65	-30 / +60	①	CCC , CE, RoHS
	220/230	60	0.35	76	2700	2.0	600 / 350	68	-30 / +60	②	CCC , CE, RoHS



Impeller material : Plastic PA66
Protection Class : IP 44
Approvals: CCC CE
Insulation Class : F

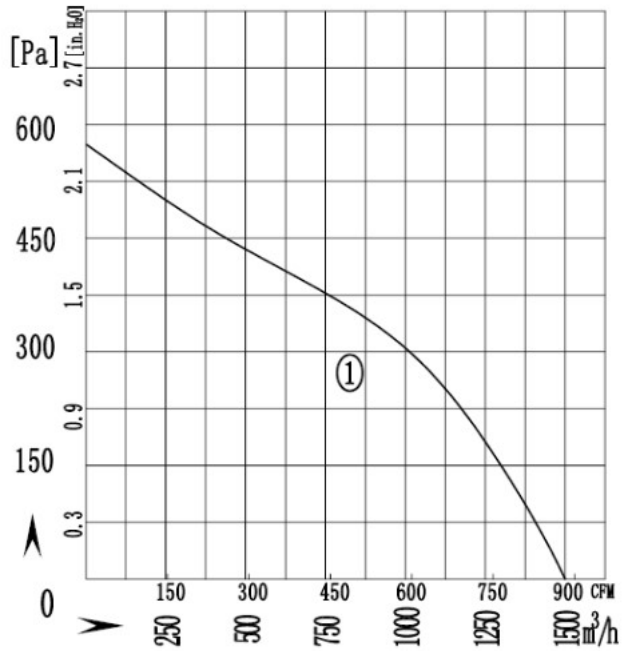


Type	Voltage	Frequency	Current	Input Power	Speed	Capacitor	Air Flow	Noise	Temperature	Curve No.	Approvals
	V	Hz	A	W	rpm	µF	m³/h / CFM	dB(A)	Min / Max (°C)	#	
B2E225-089A-AE00	220/230	50	0.60	135	2600	4	1100/647	70	-30 / +60	①	CCC , CE, RoHS

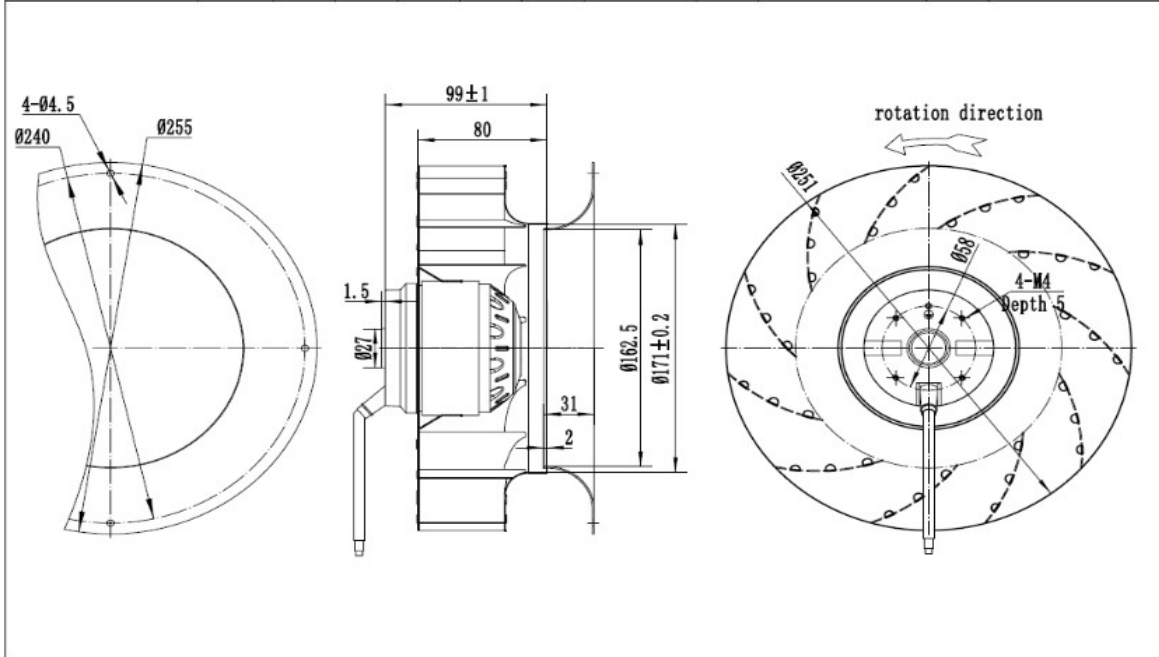




Impeller material : Galvanised sheet steel
Protection Class : IP 44
Approvals: CCC CE
Insulation Class : F

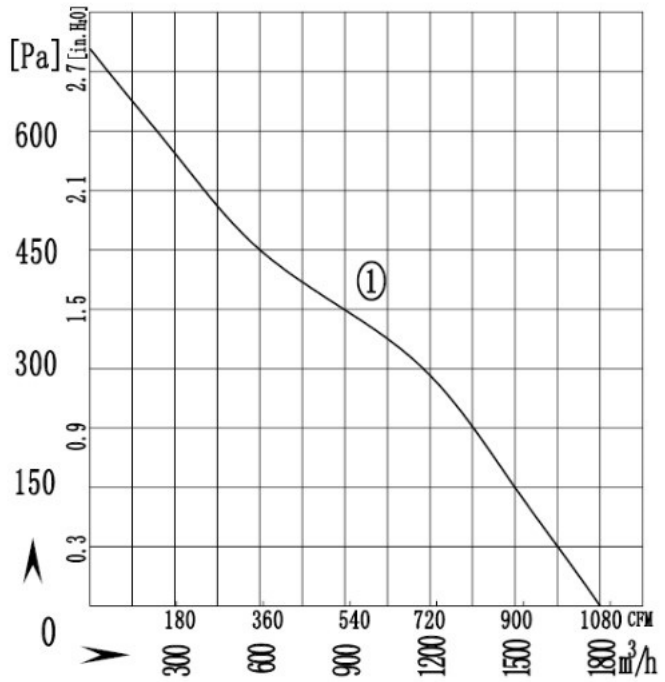


Type	Voltage	Frequency	Current	Input Power	Speed	Capacitor	Air Flow	Noise	Temperature	Curve No.	Approvals
	V	Hz	A	W	rpm	µF	m³/h / CFM	dB(A)	Min / Max(°C)	#	
B2E250-080A-AG00	220/230	50	1.05	230	2700	6	1480/870	72	-30 / +60	①	CCC , CE, RoHS

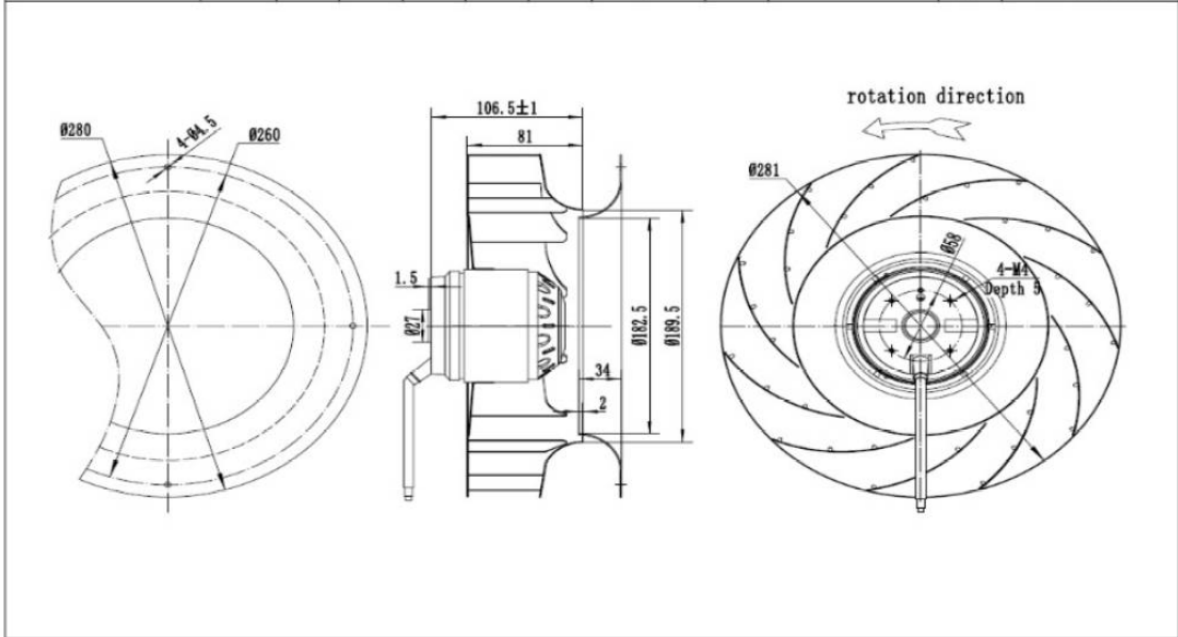




Impeller material : Galvanised sheet steel
Protection Class : IP 44
Approvals: CCC CE
Insulation Class : F

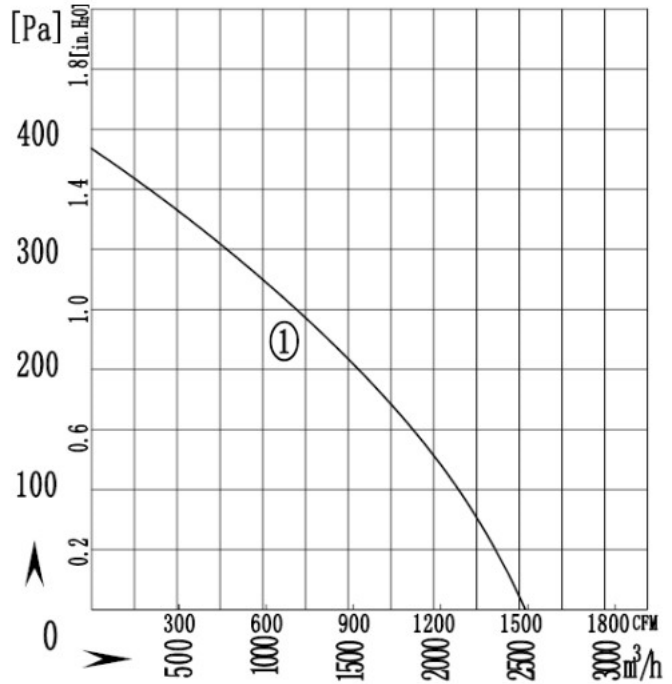


Type	Voltage	Frequency	Current	Input Power	Speed	Capacitor	Air Flow	Noise	Temperature	Curve No.	Approvals
	V	Hz	A	W	rpm	µF	m³/h / CFM	dB(A)	Min / Max (°C)	#	
B2E280-081A-AG00	220/230	50	1.1	230	2450	6	1800/1056	79	-30 / +60	①	CCC , CE, RoHS





Impeller material : Sheet Aluminium
Protection Class : IP 54
Approvals: CCC CE
Insulation Class : F



Type	Voltage	Frequency	Current	Input Power	Speed	Capacitor	Air Flow	Noise	Temperature	Curro No.	Approvals
	V	Hz	A	W	rpm	μF	m³/h / CFM	dB(A)	Min / Max (°C)	#	
B4E355-145A-AN00	220/230	50	1.0	210	1400	7	2520/1482	63	-30 / +60	①	CCC , CE, RoHS

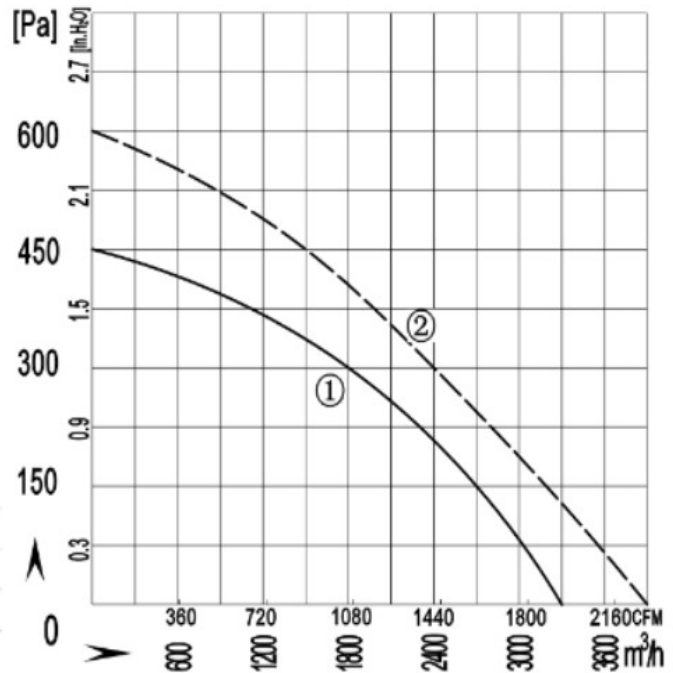


Impeller material : Sheet Aluminium

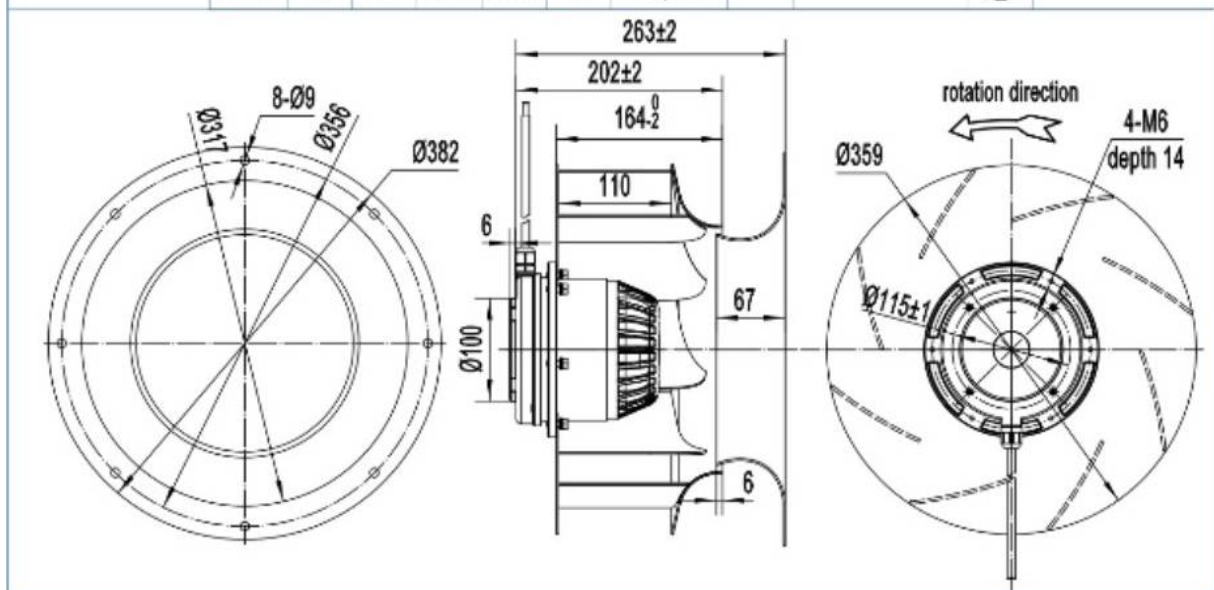
Protection Class : IP 54

Approvals: CCC CE

Insulation Class : F

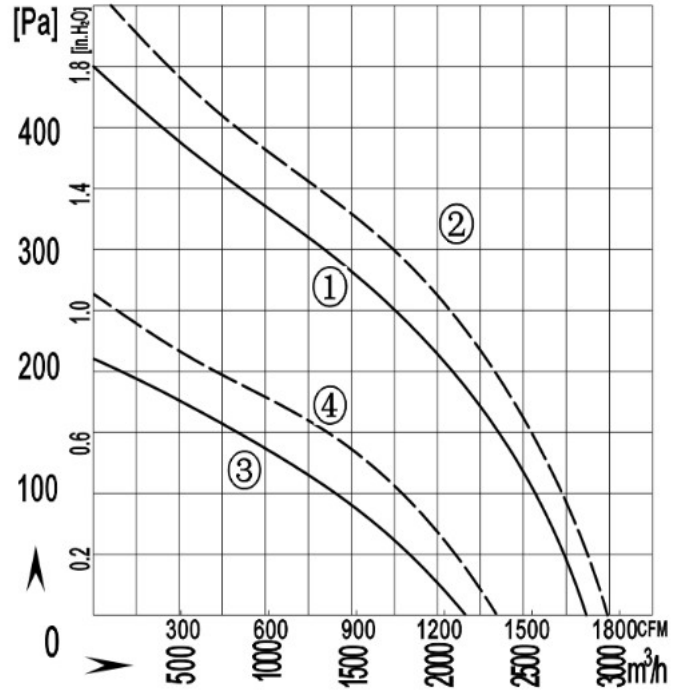


Type	Voltage	Frequency	Current	Input Power	Speed	Capacitor	Air Flow	Noise	Temperature	Curve No.	Approvals
	V	Hz	A	W	rpm	μ F	m³/h / CFM	dB(A)	Min / Max(°C)	#	
B4E355-164A-AS00	220/230	50	2.2	400	1400	12	3300 / 1941	72	-30 / +60	①	CCC ,CE,RoHS
	220/230	60	2.6	600	1700	12	3900 / 2294	77	-30 / +60	②	

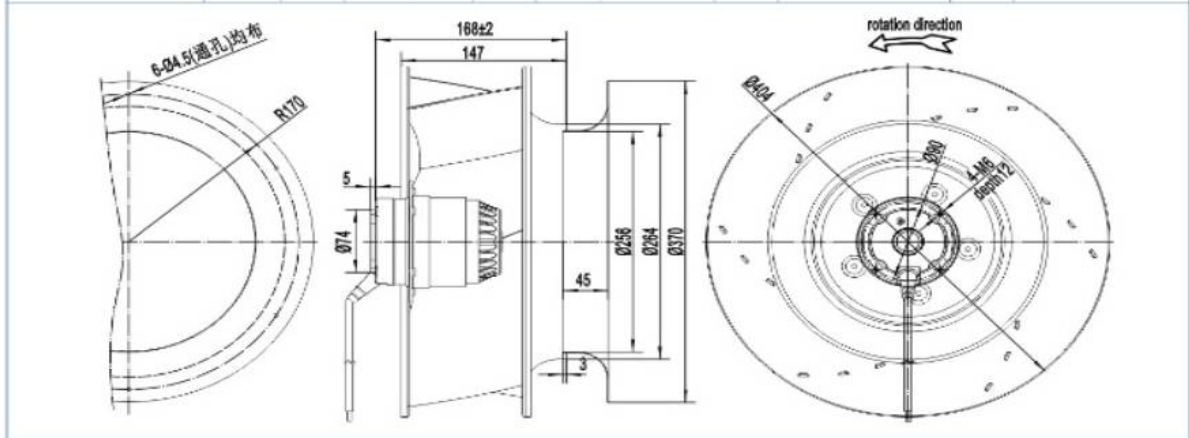




Impeller material : Sheet Aluminium
Protection Class : IP 54
Approvals: CCC CE
Insulation Class : F



Type	Voltage	Frequency	Current	Input Power	Speed	Capacitor	Air Flow	Noise	Temperature	Curve No.	Approvals
	V	Hz	A	W	rpm	μ F	m³/h / CFM	dB(A)	Min / Max(°C)	#	
B4E400-147A-AN00	220/230	50	1.20	260	1350	7	2850 / 1675	64	-30 / +60	①	CCC ,CE, RoHS
	220/230	60	1.50	330	1450	6	2950 / 1735	68	-30 / +60	②	
B4D400-147A-AN00	380/400	50	0.6	265	1380	/	2850 / 1675	64	-30 / +60	①	CCC ,CE, RoHS
	380/400	60	0.75	320	1460	/	2950 / 1735	68	-30 / +60	②	
B6E400-147A-AN00	220/230	50	0.72	135	940	6	2100 / 1235	56	-30 / +60	③	CCC ,CE, RoHS
	220/230	60	0.85	155	1050	6	2250 / 1323	57	-30 / +60	④	



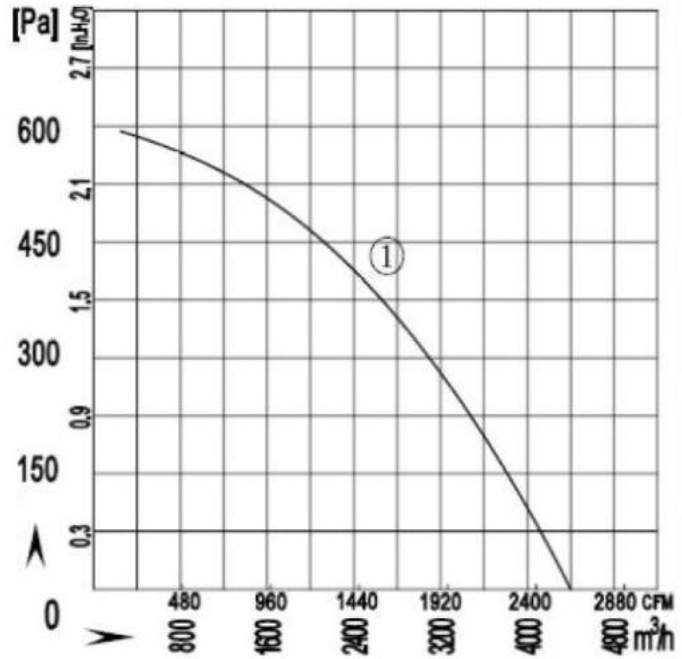


Impeller material : Sheet Aluminium

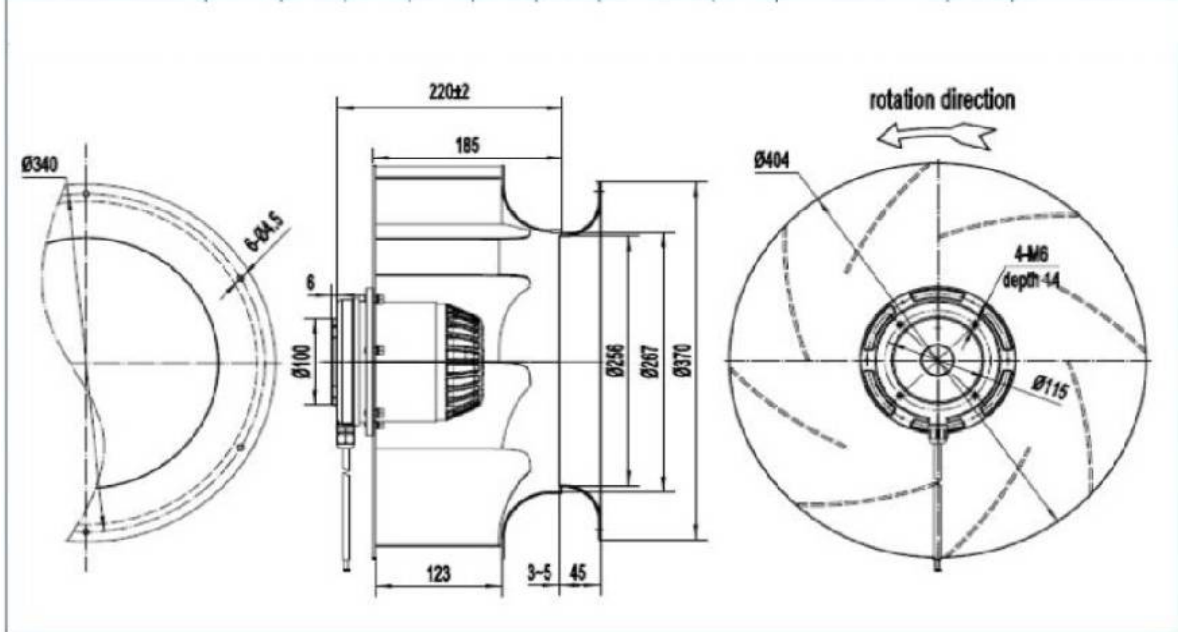
Protection Class : IP 54

Approvals: CCC CE

Insulation Class : F



Type	Voltage V	Frequency Hz	Current A	Input Power W	Speed rpm	Capacitor µ F	Air Flow m³/h / CFM	Noise dB(A)	Temperature Min / Max(°C)	Curve No. #	Approvals
B4E400-185A-AS00	220/230	50	1.50	510W	1380	10	4400/2588	69	-30 / +60	①	CCC ,CE,RoHS



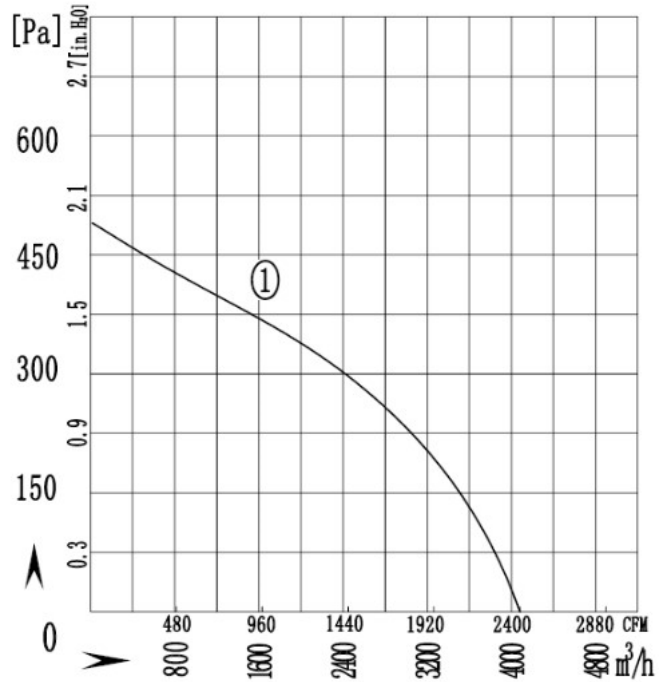


Impeller material : Sheet Aluminium

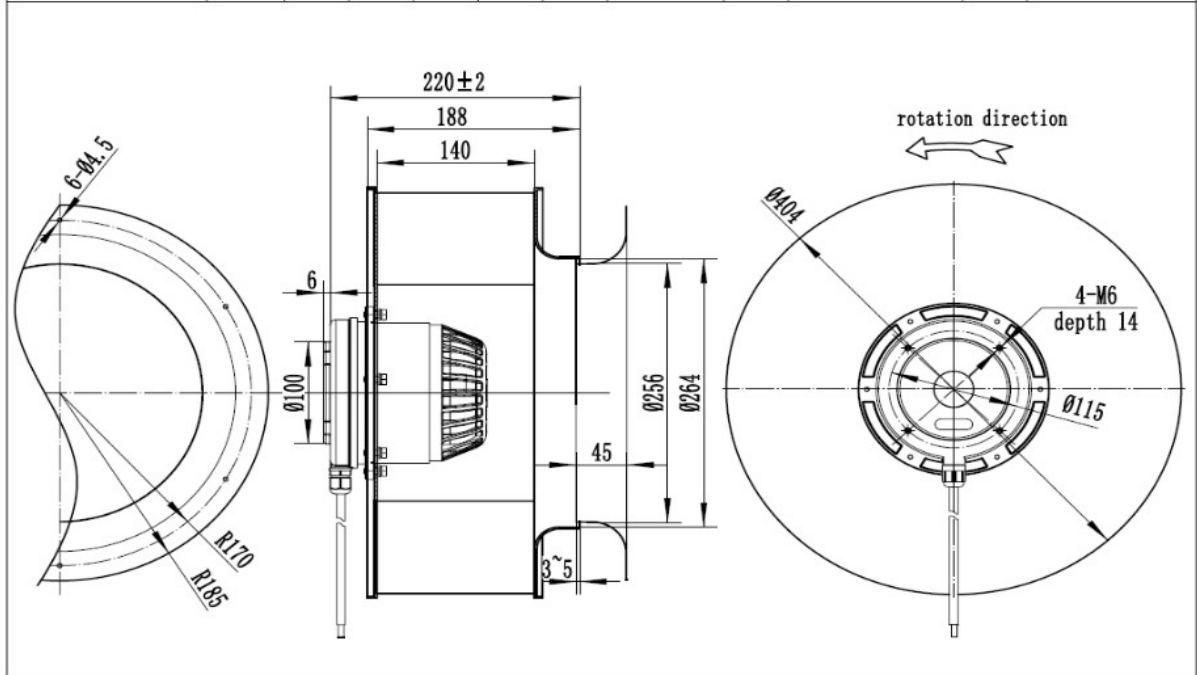
Protection Class : IP 54

Approvals: CCC CE

Insulation Class : F



Type	Voltage	Frequency	Current	Input Power	Speed	Capacitor	Air Flow	Noise	Temperature	Curve No.	Approvals
	V	Hz	A	W	rpm	μF	m³/h / CFM	dB(A)	Min / Max (°C)	#	
B4E400-188A-AS00	220/230	50	1.50	430	1380	10	4100/2411	66	-30 / +60	①	CE, RoHS



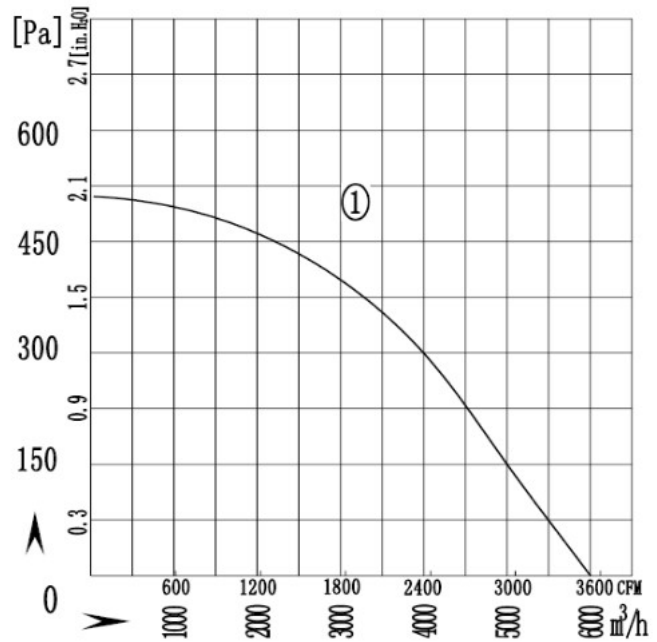


Impeller material : Sheet Aluminium

Protection Class : IP 54

Approvals: CCC CE

Insulation Class : F



Type	Voltage	Frequency	Current	Input Power	Speed	Capacitor	Air Flow	Noise	Temperature	Curve No.	Approvals
Type	V	Hz	A	W	rpm	µF	m³/h / CFM	dB(A)	Min / Max (°C)	#	
B4E450-218A-AT00	220/230	50	3.5	800	1350	16	6000/3529	79	-30 / +60	①	CE, RoHS

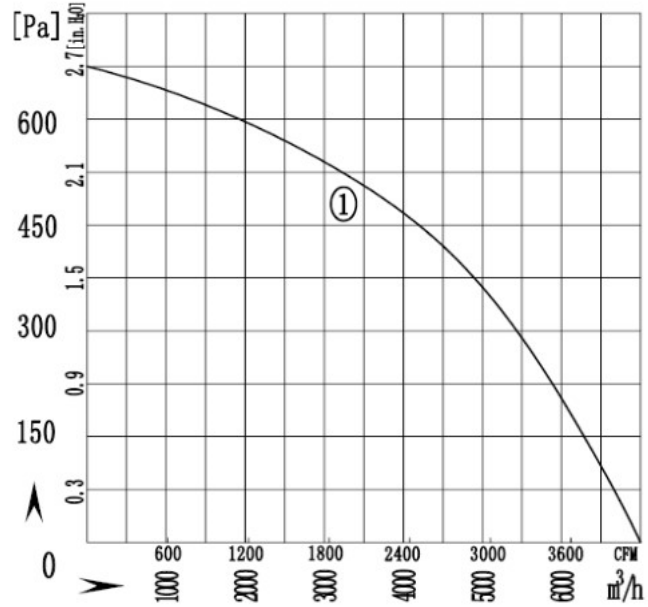


Impeller material : Sheet Aluminium

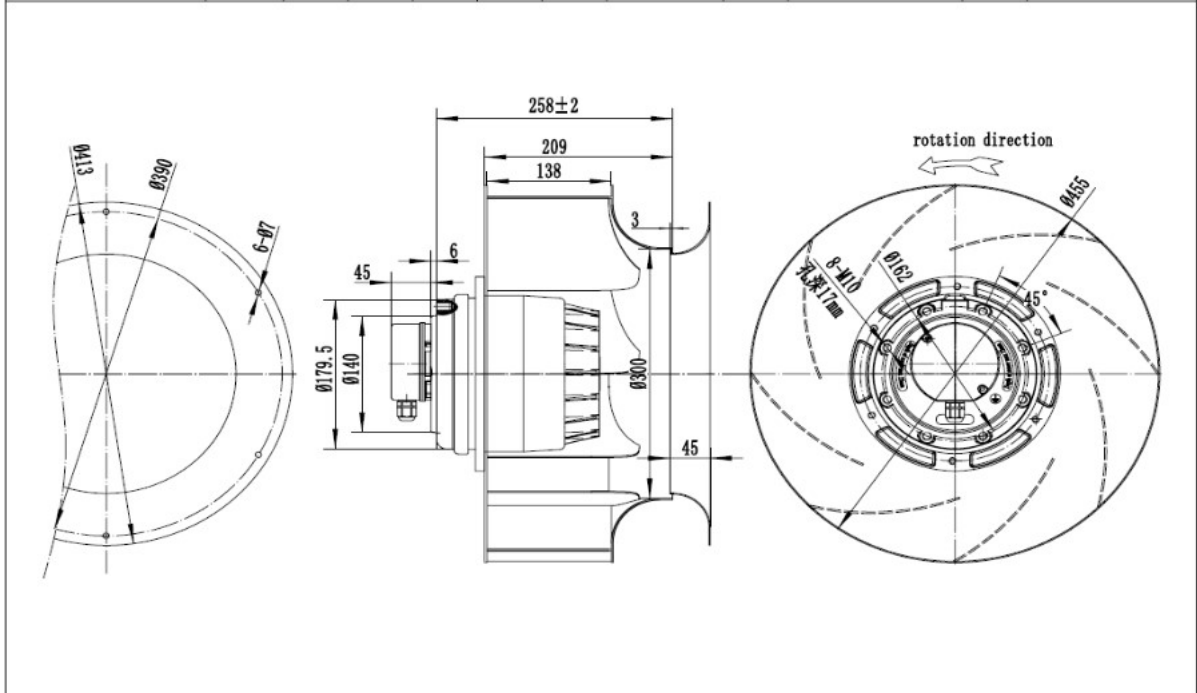
Protection Class : IP 54

Approvals: CCC CE

Insulation Class : F



Type	Voltage	Frequency	Current	Input Power	Speed	Capacitor	Air Flow	Noise	Temperature	Curve No.	Approvals
Type	V	Hz	A	W	rpm	μF	m³/h / CFM	dB(A)	Min / Max (°C)	#	
B4D450-209A-AVM0	380/400	50	2.5	1100	1400	/	7000/4118	82	-30 / +60	①	CE, RoHS



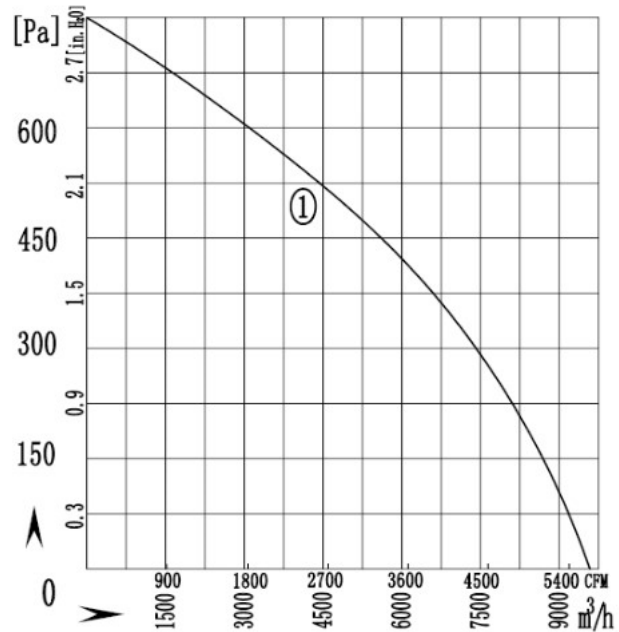


Impeller material : Sheet Aluminium

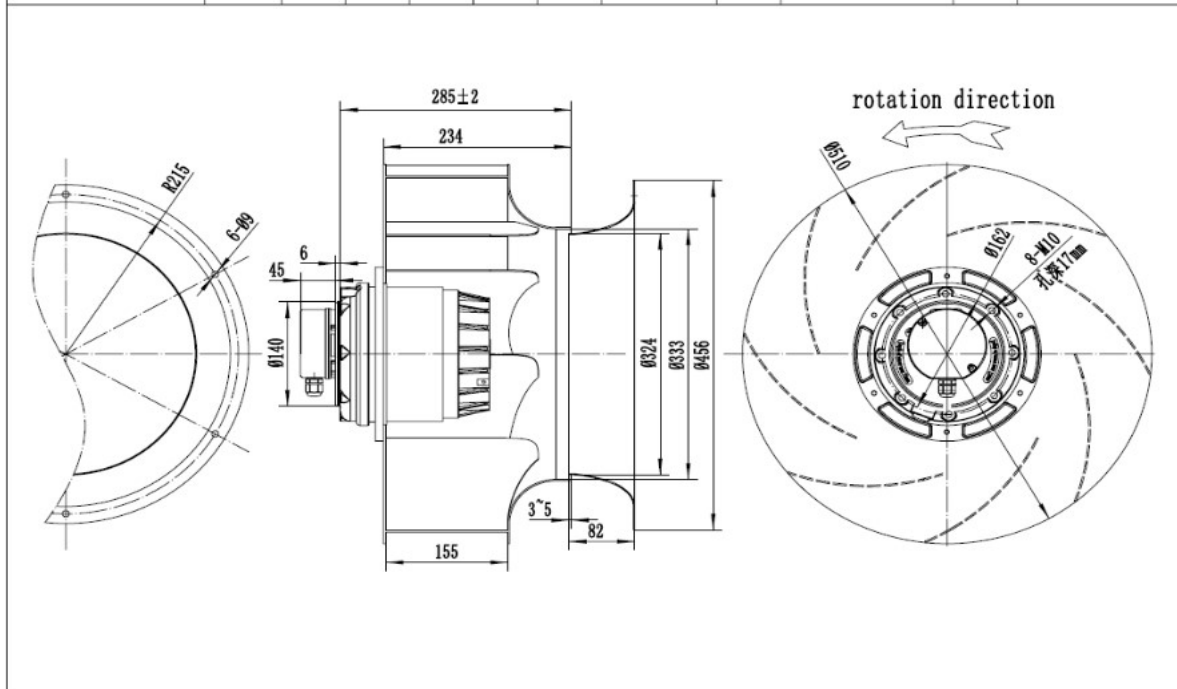
Protection Class : IP 54

Approvals: CCC CE

Insulation Class : F



Type	Voltage V	Frequency Hz	Current A	Input Power W	Speed rpm	Capacitor μF	Air Flow m³/h / CFM	Noise dB(A)	Temperature Min / Max (°C)	Curve No.	Approvals
B4D500-234A-AWM0	380/400	50	2.6	1500	1400	/	9500/5588	80	-30 / +60	①	CE, RoHS



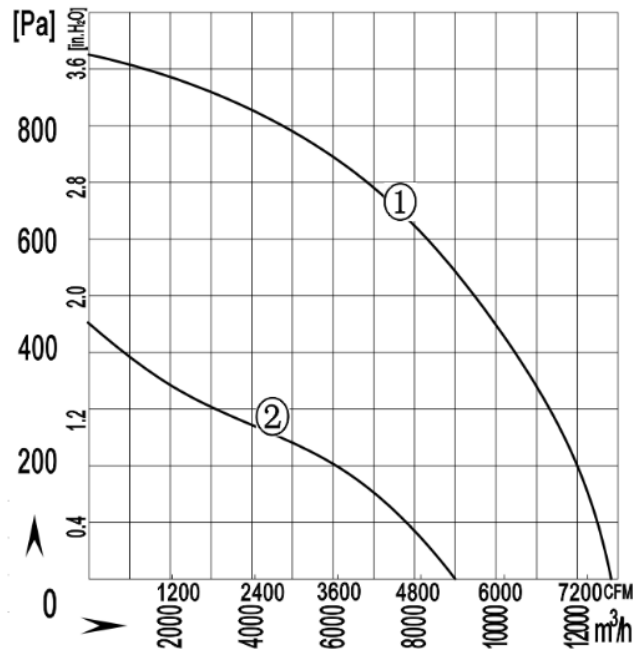


Impeller material : Sheet Aluminium

Protection Class : IP 54

Approvals: CCC CE

Insulation Class : F



Type	Voltage V	Frequency Hz	Current A	Input Power W	Speed rpm	Capacitor µ F	Air Flow m³/h / CFM	Noise dB(A)	Temperature Min / Max(°C)	Curve No. #	Approvals
B4D560-243A-AX00	380/400	50	4.5	2500	1340	/	12000 / 7059	85	-30 / +60	①	CCC ,CE,RoHS
B6D560-243A-AW00	380/400	50	1.8	900	910	/	9000 / 5294	73	-30 / +60	②	

Technical drawings of the fan showing dimensions and rotation direction. The drawings include a side view, a front view, and a top view. Key dimensions include: 295±3 (total length), 243 (main body length), 156 (motor length), 105 (motor length), 5 (gap), 0.140 (motor diameter), 0.175 (motor diameter), 0.167 (motor diameter), 0.154 (motor diameter), 0.154 (motor diameter), 0.170 (impeller diameter), 0.182 (impeller diameter), 0.177 (impeller diameter), and 0.177 (impeller diameter). The rotation direction is indicated as counter-clockwise.

